
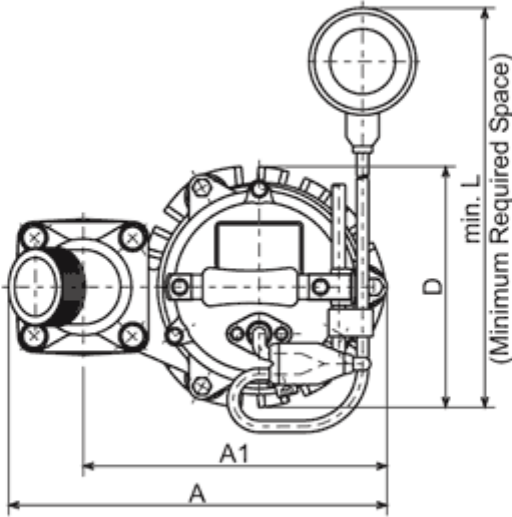


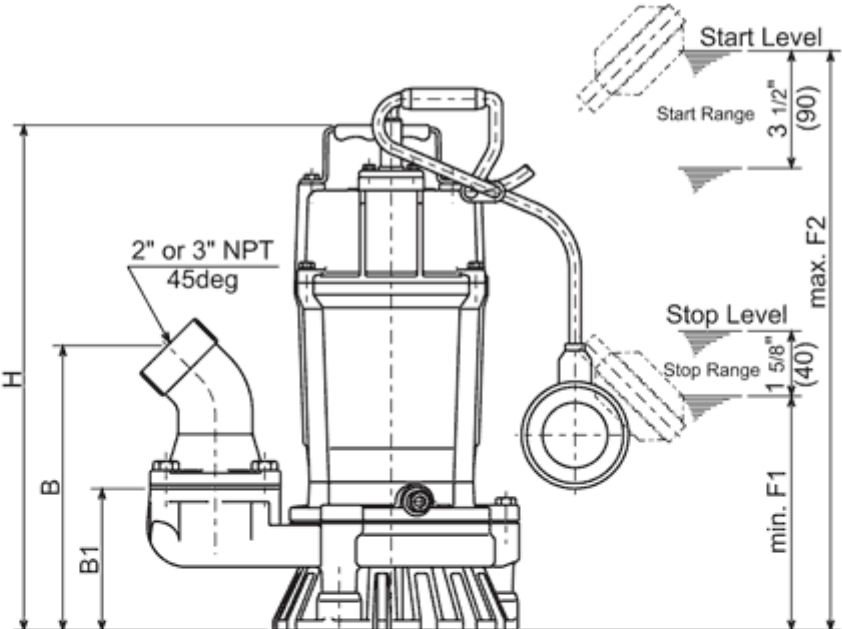
« Prev Next »

Jan. 08

DM-HS-04

 TSURUMI PUMP	HS - SERIES SEMI-VORTEX - WASTEWATER PUMP (AUTO-TYPE)	DIMENSIONS
---	--	-------------------





HSZ2.75S-61
HSZ3.75S-61

DIMENSIONS:USCS (Inch)

Model	HP	NOM. SIZE	Pump & Motor						Space	Stop	Start	Wt. (lbs.)
			A	A1	B	B1	D	H	min. L	min. F1	max. F2	
HSZ2.75S-61	1	2"	11 7/16	9 3/16	8 5/8	4 5/16	7 5/16	15 1/4	13 1/2	7 1/8	17 1/2	40
HSZ3.75S-61	1	3"	12 7/16	9 3/16	9 1/2	4 5/16	7 5/16	15 1/4	13 1/2	7 1/8	17 1/2	42

DIMENSIONS:METRIC (mm)

Model	kW	NOM. SIZE	Pump & Motor						Space	Stop	Start	Wt. (kg)
			A	A1	B	B1	D	H	min. L	min. F1	max. F2	
HSZ2.75S-61	0.75	50	290	233	219	109	185	388	340	180	445	18.2
HSZ3.75S-61	0.75	80	317	233	241	109	185	388	340	180	445	19.0

« Prev Next »