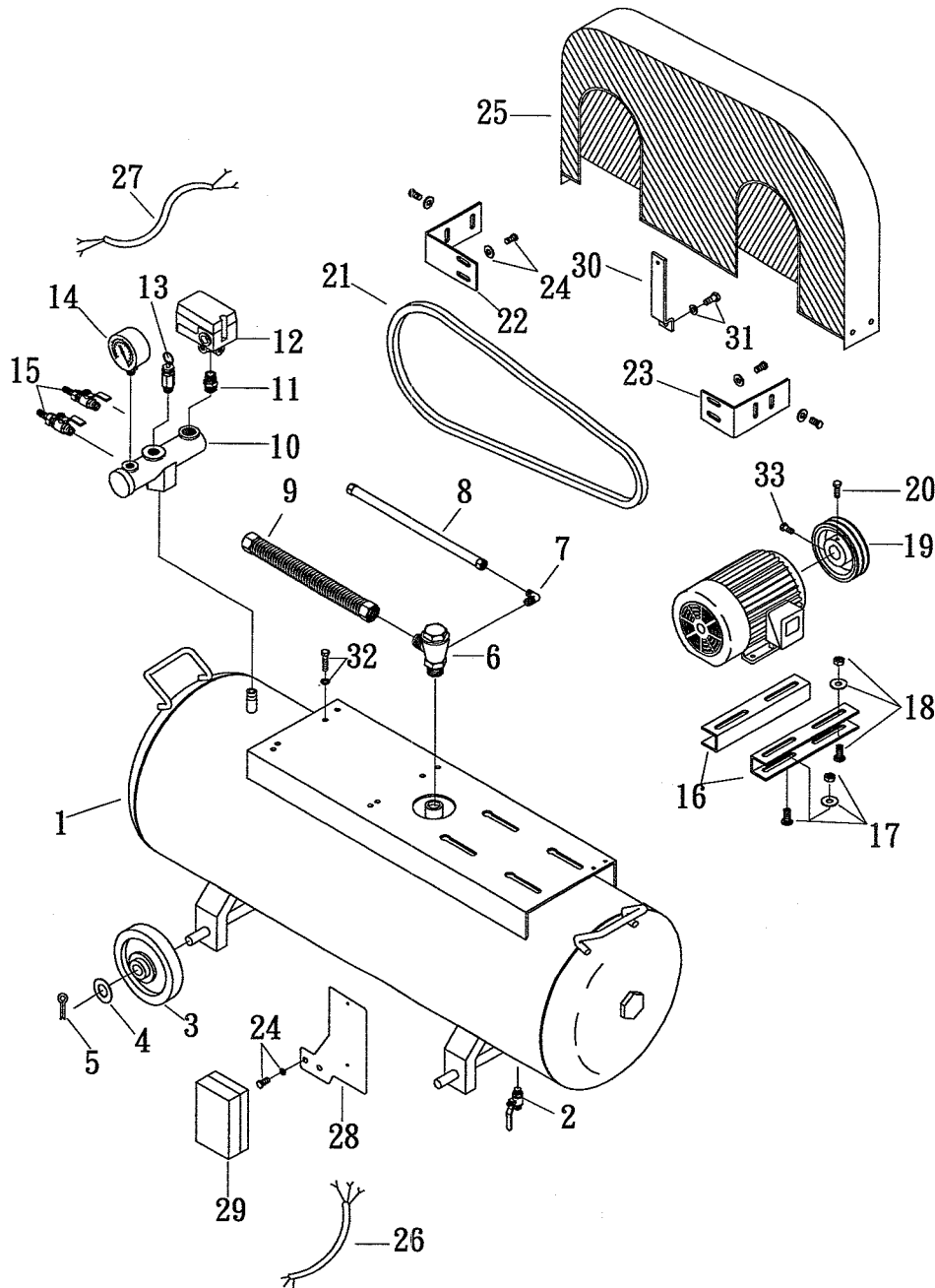


MODEL : PE5030T (Receiver Tank)

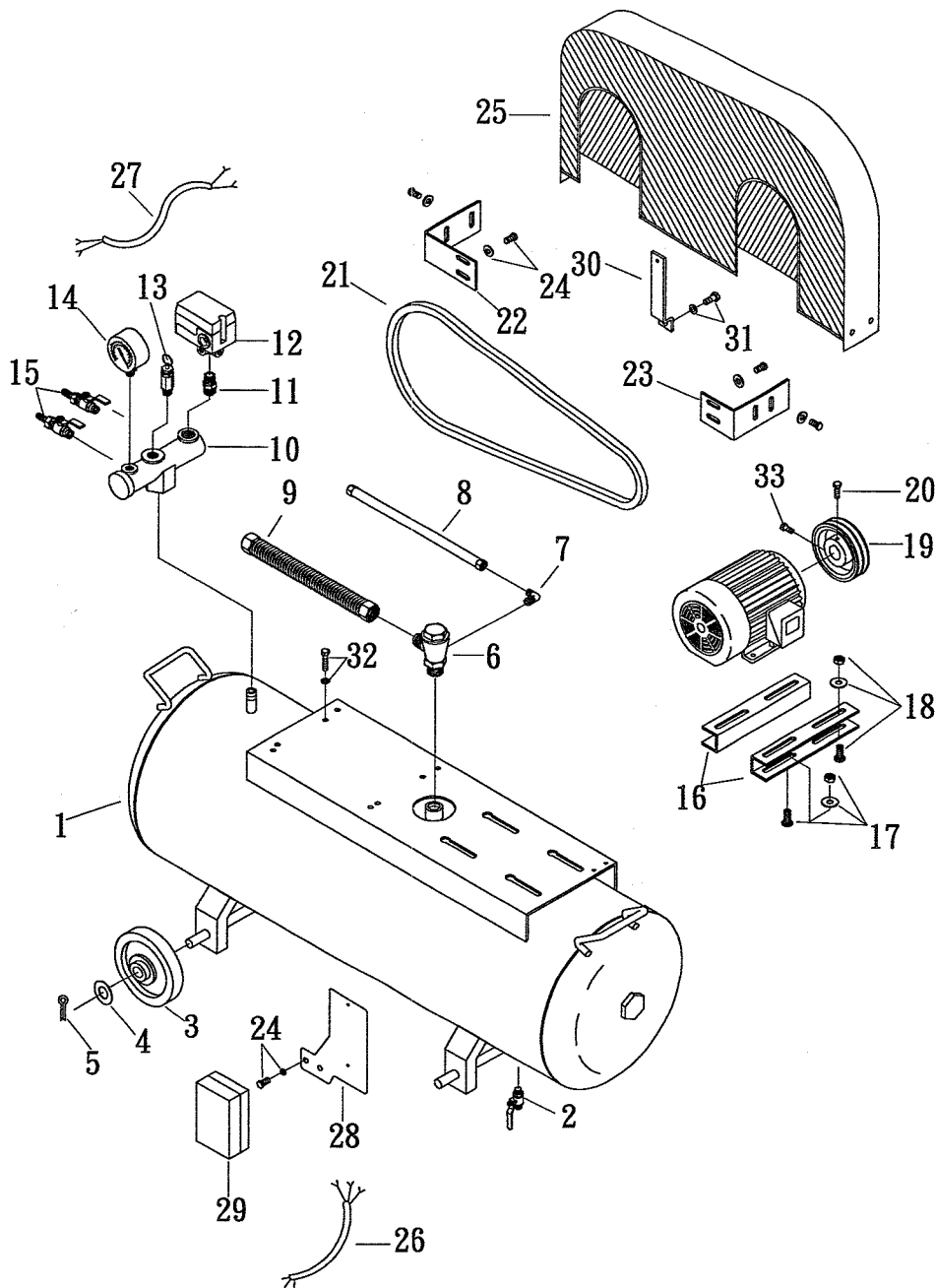


SPARE PARTS LIST

NO : EU-1205

REF. NO.	DESCRIPTION	PART NO.	QTY.	REF. NO.	DESCRIPTION	PART NO.	QTY.
1	Air tank	3401A117	1	18	Motor feet bolt set	3B08-FM10*38-B	4
2	Drain valve	2413007	1	19	Motor pulley	3PMF-080A2M2808	1
3	Tank wheel	2402003	4	20	Hexagon bolt	2B00-SM08*015	1
4	Plate washer	2E30-23*46*12	4	21	V-belt	2N31-A58	2
5	Cotter pin	2N40-W015*14	4	22	Set bracket	3427008	1
6	Check valve	2414025T	1	23	Set bracket	3427028	1
7	Unloading elbow	2N06-01T02H	1	24	Hexagon head bolt	3B00-FM08*015W	11
8	Unloading tube	3B2-02*680F	1	25	Belt guard	3426044	1
9	Exhaust tube set	3B2-04*440	1	26	Cable	2E02-2030383Y3Q	1
10	Exhaust manifold	3415010	1	27	Cable	2E02-1221552Y2Y	1
11	Nipple	2N01-001	1	28	Magnetic switch seat	3417016	1
12	Pressure switch	2E21-015TB	1	29	Magnetic switch	2E22-05*541T	1
13	Pressure relief valve	2406018T	1	30	Bracket	3427043A	1
14	Pressure gauge	2D12-25V14K	1	31	Hexagon bolt set	3B00-SM06*015W	1
15	Ball valve	2413001	2	32	Hexagon bolt set	3B00-FM08*025V	4
16	Motor base	3421004	2	33	Hexagon bolt set	2B00-SM08*020	1
17	Motor feet bolt set	3B08-FM10*25-B	4				

MODEL : PE5030T (Receiver Tank)



SPARE PARTS LIST

NO : EU-1205

REF. NO.	DESCRIPTION	PART NO.	QTY.	REF. NO.	DESCRIPTION	PART NO.	QTY.
1	Air tank	3401A117	1	18	Motor feet bolt set	3B08-FM10*38-B	4
2	Drain valve	2413007	1	19	Motor pulley	3PMF-080A2M2808	1
3	Tank wheel	2402003	4	20	Hexagon bolt	2B00-SM08*015	1
4	Plate washer	2B30-23*46*12	4	21	V-belt	2N31-A58	2
5	Cotter pin	2N40-W015*14	4	22	Set bracket	3427008	1
6	Check valve	2414025T	1	23	Set bracket	3427028	1
7	Unloading elbow	2N06-01T02H	1	24	Hexagon head bolt	3B00-FM08*015W	11
8	Unloading tube	3B2-02*680F	1	25	Belt guard	3426044	1
9	Exhaust tube set	3B2-04*440	1	26	Cable	2E02-2030383Y3Q	1
10	Exhaust manifold	3415010	1	27	Cable	2E02-1221552Y2Y	1
11	Nipple	2N01-001	1	28	Magnetic switch seat	3417016	1
12	Pressure switch	2E21-015TB	1	29	Magnetic switch	2E22-05*541T	1
13	Pressure relief valve	2406018T	1	30	Bracket	3427043A	1
14	Pressure gauge	2D12-25V14K	1	31	Hexagon bolt set	3B00-SM06*015W	1
15	Ball valve	2413001	2	32	Hexagon bolt set	3B00-FM08*025V	4
16	Motor base	3421004	2	33	Hexagon bolt set	2B00-SM08*020	1
17	Motor feet bolt set	3B08-FM10*25-B	4				