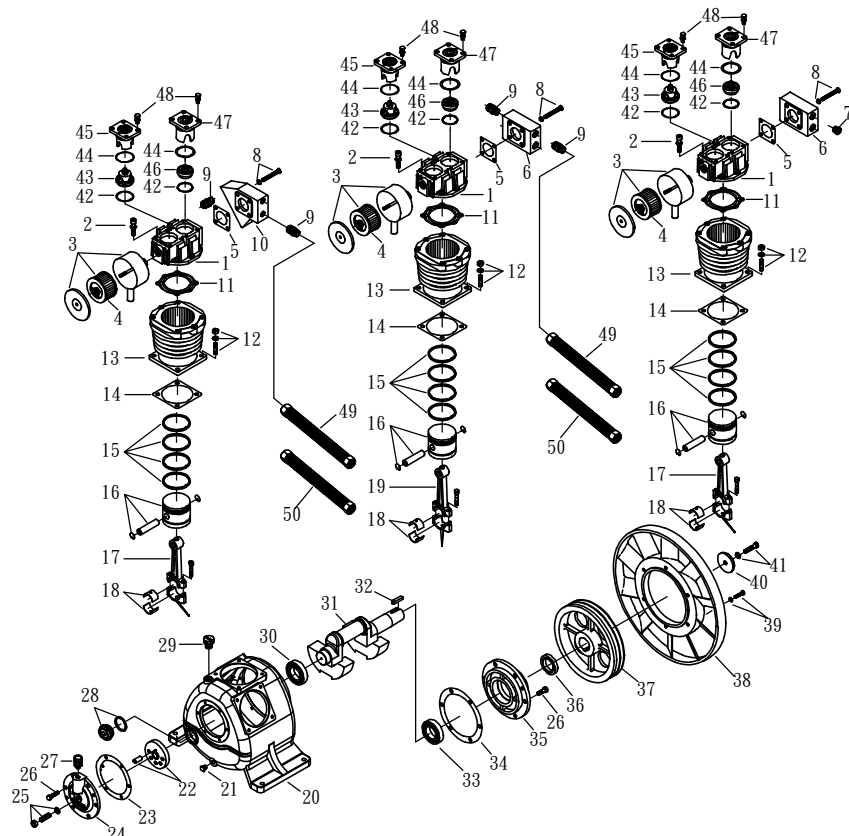


MODEL : PK150300A(Pump)

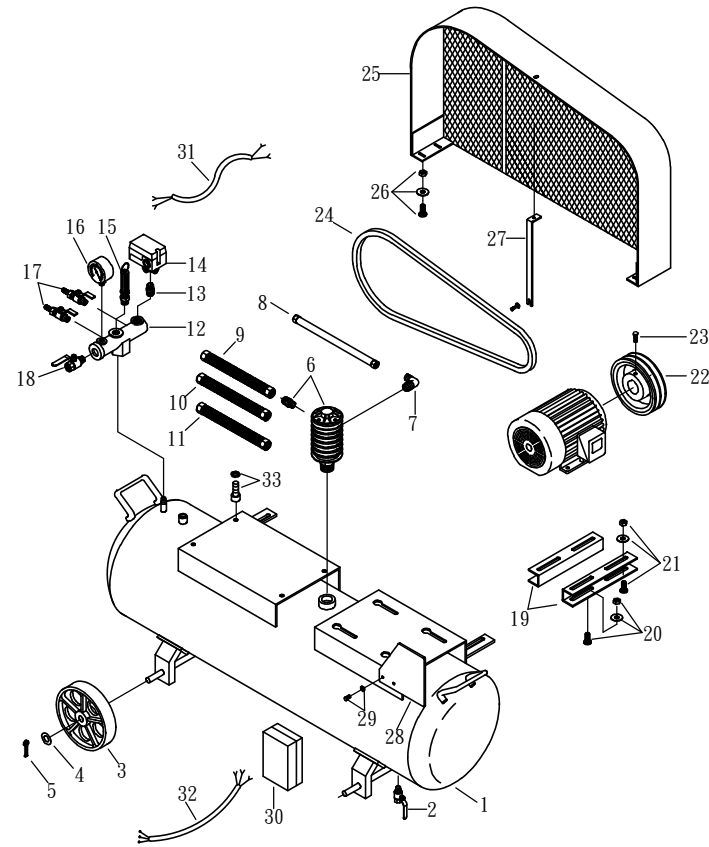


SPARE PARTS LIST

NO : FS-1901

| REF. NO. | DESCRIPTION               | PART NO.       | QTY. | REF. NO. | DESCRIPTION               | PART NO.        | QTY. |
|----------|---------------------------|----------------|------|----------|---------------------------|-----------------|------|
| 1        | Cylinder head             | 3101054        | 3    | 26       | Hexagon bolt              | 2B00-SM10*025   | 12   |
| 2        | Allen bolt set            | 3B01-M12*045V  | 18   | 27       | Breathing cover           | 2321008         | 1    |
| 3        | Air filter                | 2140011        | 3    | 28       | Oil sight gauge set       | 2303016A        | 1    |
| 4        | Filter element            | 2142009        | 3    | 29       | Oil filling plug set      | 2319004A        | 1    |
| 5        | Exhaust tank gasket       | 2G09-004H      | 3    | 30       | Bearing                   | 2N35-32209      | 1    |
| 6        | Exhaust tank              | 3127001        | 2    | 31       | Crankshaft & balancer set | 3304153         | 1    |
| 7        | Plug                      | 2B14-ST06E     | 2    | 32       | Pulley key                | 2N47-10*8*45    | 1    |
| 8        | Hexagon bolt set          | 3B00-SM10*075V | 12   | 33       | Bearing                   | 2N35-32210      | 1    |
| 9        | Nipple                    | 2N01-009       | 11   | 34       | Rear bearing seat gasket  | 2G06-020        | 1    |
| 10       | Exhaust tank              | 3127002        | 1    | 35       | Rear bearing seat         | 3311029         | 1    |
| 11       | Cylinder head gasket      | 2G01-020C      | 3    | 36       | Oil seal                  | 2N50-TC50*72*12 | 1    |
| 12       | Double head bolt set      | 3B11-004-A     | 12   | 37       | Pulley                    | 3PBF-138B450    | 1    |
| 13       | Cylinder                  | 3201021G       | 3    | 38       | Fly wheel                 | 3PBF-630*280    | 1    |
| 14       | Cylinder gasket           | 2G04-008       | 3    | 39       | Hexagon bolt set          | 3B00-SM08*035AV | 6    |
| 15       | Piston ring set           | 3B32-120N      | 3    | 40       | Pulley washer             | 2B34-13*95*12   | 1    |
| 16       | Piston set                | 3B31-120NP     | 3    | 41       | Hexagon bolt set          | 3B00-SM12*050V  | 1    |
| 17       | Rod set                   | 3B33-GK150B    | 2    | 42       | Inlet&Exhaust washer      | 2B32-004        | 6    |
| 18       | Rod bush(2 pieces)        | 2316007-B      | 3    | 43       | Inlet valve assembly      | 3B12-NK150A     | 3    |
| 19       | Rod set                   | 3B33-GK150A    | 1    | 44       | O-Ring                    | 2N52-G65V       | 6    |
| 20       | Crankcase                 | 3301131        | 1    | 45       | Inlet press plate         | 3103001         | 3    |
| 21       | Oil draining plug         | 2N33-002       | 1    | 46       | Exhaust valve assembly    | 3B11-NK150A     | 3    |
| 22       | Thrust block set          | 312007-A       | 1    | 47       | Exhaust press plate       | 3126009         | 3    |
| 23       | Front bearing seat gasket | 2G05-009       | 1    | 48       | Hexagon bolt set          | 3B00-SM08*030V  | 24   |
| 24       | Front bearing seat        | 3309032        | 1    | 49       | Exhaust tube set          | 3B2-06*255      | 2    |
| 25       | Bolt set                  | 3B07-SM16*40-A | 1    | 50       | Exhaust tube set          | 3B2-06*205      | 2    |

MODEL : PK150300A(Receive Tank)



SPARE PARTS LIST

NO : FS-1901

| REF. NO. | DESCRIPTION           | PART NO.      | QTY. | REF. NO. | DESCRIPTION          | PART NO.        | QTY. |
|----------|-----------------------|---------------|------|----------|----------------------|-----------------|------|
| 1        | Air tank              | 3401186       | 1    | 18       | Ball valve           | 2413008         | 1    |
| 2        | Ball valve            | 2413007       | 1    | 19       | Motor base           | 3421005         | 2    |
| 3        | Tank wheel            | 2402009       | 4    | 20       | Motor feet set bolt  | 3B08-FM12*28-M  | 4    |
| 4        | Plate washer          | 2B30-23*46*12 | 4    | 21       | Motor feet set bolt  | 3B08-FM12*42-M  | 4    |
| 5        | Cotter pin            | 2N40-W015*14  | 4    | 22       | Motor pulley         | 3PMF-075B4M4212 | 1    |
| 6        | Check valve           | 2414020A      | 1    | 23       | Hexagon bolt         | 2B00-SM08*025   | 2    |
| 7        | Unloading elbow       | 2N06-01T02H   | 1    | 24       | V-belt               | 2N31-B86        | 4    |
| 8        | Unloading tube set    | 3B2-02*1200F  | 1    | 25       | Belt guard           | 3426021         | 1    |
| 9        | Exhaust tube set      | 3B2-06*760    | 1    | 26       | Motor feet bolt set  | 3B08-FM08*20-N  | 4    |
| 10       | Exhaust tube set      | 3B2-06*840    | 1    | 27       | Bracket              | 3427054         | 1    |
| 11       | Exhaust tube set      | 3B2-06*930    | 1    | 28       | Magnetic switch seat | 3417009         | 1    |
| 12       | Exhaust manifold      | 3415012       | 1    | 29       | Hexagon bolt set     | 3B00-FM08*015W  | 2    |
| 13       | Nipple                | 2N01-002      | 1    | 30       | Magnetic switch      | 2E22-15*538T    | 1    |
| 14       | Pressure switch       | 2E21-024      | 1    | 31       | Cable                | 2E02-122202Y2Y  | 1    |
| 15       | Pressure relief valve | 2406003       | 1    | 32       | Cable                | 2E02-5530703Y3Q | 1    |
| 16       | Pressure gauge        | 2D12-25V14K   | 1    | 33       | Allen bolt set       | 3B01-M14*055VN  | 4    |
| 17       | Ball valve            | 2413001       | 2    |          |                      |                 |      |